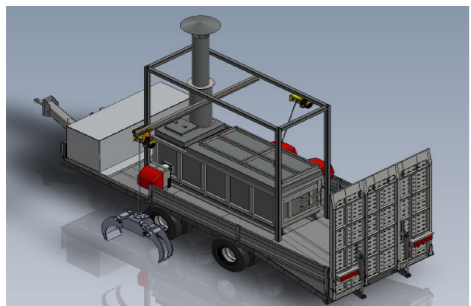
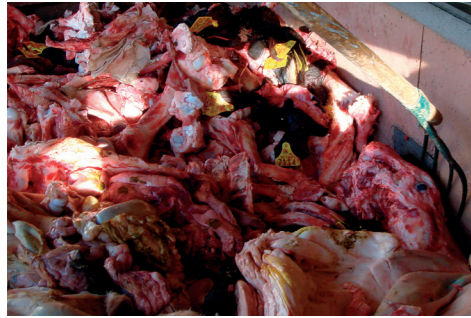


INSINERATORS ABONO®
FOR WASTE INCINERATION
(*burning rate from 50 kg to 10 000 kg/h)

WASTE INCINERATION



INSINERATORS ABONO®

Waste loading capacity from 50 kg to 20 000 kg



ABONO, LLC

Tel. : +7(495) 651-6134 (Moscow)
Tel. : +7(4742) 52-21-33 (Lipetsk)
Tel. : +7(861) 203-3740 (Krasnodar)
www.abono.ru | info@abono.ru



Low capacity incinerators
Secondary chamber types: A-1, A-2

Type: A-1



- loading capacity up to 100 kg
- burning rate up to 50 kg / h



INSINERATORS ABONO®

Incinerators ABONO® are designed for environmentally safe thermal destruction (incineration) of solid, liquid and gaseous waste with the possibility of obtaining hot water, steam and electricity from waste heat.

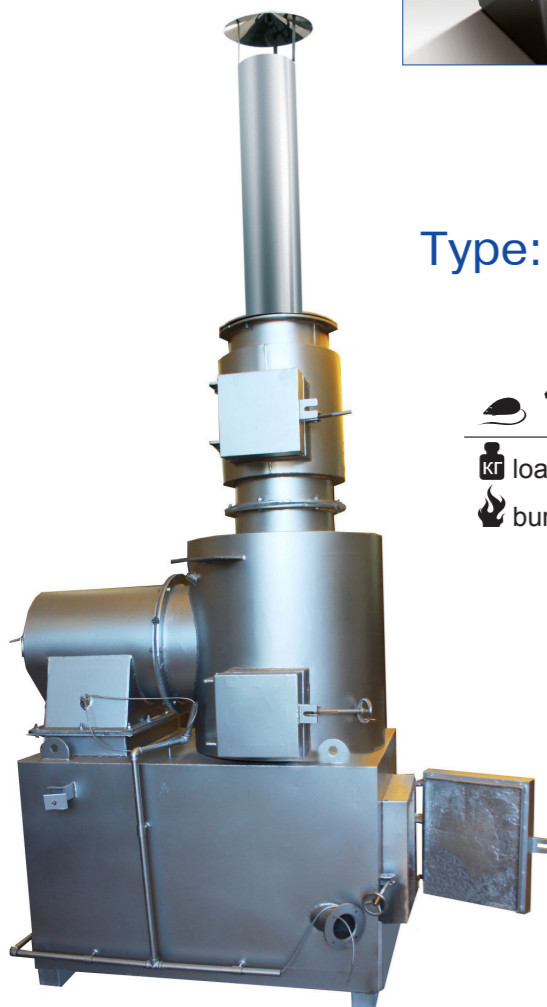
ABONO, LLC manufactures ABONO® incinerators for burning solid, liquid and gaseous waste such as waste from farms, meat processing plants, medical waste, solid waste, oil sludge, rubber products, electrical cables, liquid chemical waste, etc.

ABONO® incinerators are distinguished by loading parameters, combustion rates, combustion technologies and by type of incinerated waste.

Type: A-7



- loading capacity up to 300 kg
- burning rate up to 70 kg / h

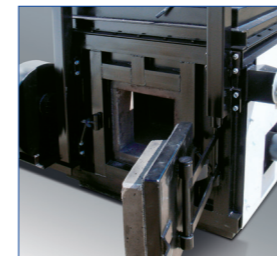


Type: A-2

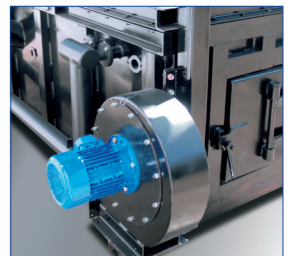


High-performance incinerators
Types: A-3, A-4, A-5, A-6, RT

Type: A-4



- loading capacity from 300 kg to 20 000 kg
- burning rate from 300 to 6 500 kg / h



Type: A-3



Type: A-6

